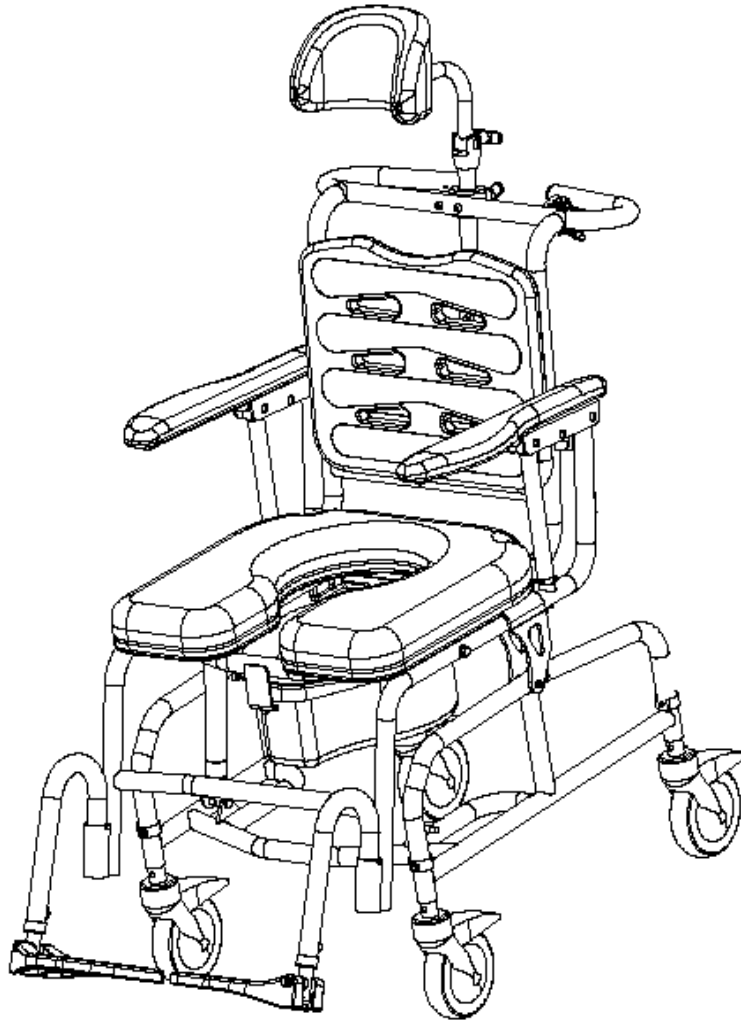


ORION™ **AQUA**
Rehab Tilt Commode/ with Casters
Future **M**obility Healthcare

ORION™ **AQUA**
Stainless Steel Rehab Tilt Commode/ with Casters
Future **M**obility Healthcare



Owner's Operations Manual

AQUA REHAB TILT COMMUNE

Future Mobility Healthcare Inc.
3223 Orlando Drive
Mississauga, ON L4V 1C5
905 671-1661 – 1 888 737-4011
Fax: 1-888-670-3377

e-mail: customersupport@future-mobility.com
www.future-mobility.com

Future **Mobility**
Healthcare Inc.
Innovative seating and mobility solutions

NOTE: Check all parts for shipping damages before using.
In case of damage, do NOT use the equipment.
Contact the Equipment Supplier for further instructions.

WARNING
DO NOT install this equipment without first reading and understanding this instruction booklet. If you are unable to understand these instructions, contact a healthcare professional, dealer or technical personnel before attempting to install this equipment - otherwise, injury or damage may occur.

NOTICE
Information contained within this document is subject to change without notice.

AQUA REHAB TILT COMMODE LABELS

**WEIGHT CAPACITY
250 LBS. (114 KGS)
REFER TO OWNER'S MANUAL**

TABLE OF CONTENTS

Labels.....	2
Specifications.....	4
General Guidelines.....	6
Safety Inspection.....	8
Front Rigging.....	9
Arms.....	10
Back.....	11
Seat.....	12
Potty.....	13
Casters.....	14
Rear Wheels.....	15
Wheel Locks.....	16
Anti Tip.....	17
Seat to Floor.....	19
Warranty.....	20

AQUA REHAB TILT COMMODE SPECIFICATIONS

Chair Size

- Overall Max. Width 22" (from outside arm pads)
- Overall Seat Width 18"
- Overall Max. Length 38" (with swingaway), 29" (no swingaway)
- Overall Max. Height 45" (to top of headrest)
- Weight ≤ 57 lbs.
- Tilt Angle 3° to 33°
- Stainless Steel hardware

Weight Capacity (client weight)

- 250 lbs.

Seat Widths

- 17"

Seat-to-Floor Heights

- Front seat to floor height 20" – 21.5"

Back Canes

- Fixed Back
- Adjustable Headrest with foam skinned curved shaped headrest pad

Colors

Frame

- White, Stainless Steel

Arms – Gel Armpad 17" long

- 3" wide
- Rounded at front and tapered to back
- Softer/plush
- Cantilever Arm, easy to flip up for transferring patient

Foot/Leg Supports

- Liftoff, 'U' shaped detachable front rigging
 - 60°
 - heel loops - Standard
- Footplates (Flipup)
 - Aluminum
 - Composite - Standard
 - Adjustable angle flip-back and side angle adjustable on footplates

Back Support

- Foam skinned rectangular shaped back easy to remove and clean

Casters

- Tente Caster with Locking mechanism
- Stainless Steel Caster Stem

GENERAL GUIDELINES

STABILITY

WARNING

The back tilt angle, position of the front and rear casters as well as the user condition directly relate to the stability of the tilt commode. Any change to one (1) or any combination of the five (5) criteria may cause the tilt commode to decrease in stability. These adjustments **MUST** be performed by a qualified technician.

OPERATING INFORMATION

Unless otherwise noted, all service and adjustment should be performed while the tilt commode is unoccupied.

To determine and establish your particular safety limits, practice bending, reaching and transferring activities in several combinations in the presence of a qualified healthcare professional **BEFORE** attempting active use of the tilt commode.

Always verify that the back assembly is secure **PRIOR** to use when an attendant is used to propel or lift the tilt commode. Check for any signs of looseness or deterioration and if found, contact a qualified technician. **DO NOT** attempt to move the tilt commode by using the back assembly if it is found to be unsecure or have deteriorated.

- **DO NOT** sit or transfer into the tilt commode unless it is fully open and the commode seat assembly is properly fastened to the commode frame through the use of clips.
- **DO NOT TRAVERSE, CLIMB or GO DOWN** ramps or slopes greater than 9 degrees
- **DO NOT** attempt to move up or down an incline with a water, ice or oil film
- **DO NOT** operate on roads, streets or highways
- **DO NOT** attempt to ride over curbs or obstacles. Doing so may cause your tilt commode to tip over and cause bodily harm to you or damage to the commode.
- **DO NOT** attempt to reach objects if you have to move forward in the seat.
- **DO NOT** attempt to reach objects if you have to pick them up from the floor by reaching down between your knees.
- **DO NOT** lean over the top of the back support. This will change your center of gravity and may cause you to tip over.
- **DO NOT** shift your weight or sitting position toward direction you are reaching as the commode may tip over.
- **CASTER LOCKS ARE NOT BRAKES. DO NOT** attempt to stop a moving commode with caster locks. These locks are to be engaged by the attendant when the commode is stationary and prior to use by the occupant.
- **DO NOT** tip the tilt commode without assistance.
- **DO NOT** use an escalator to move a tilt commode between floors. Serious bodily injury may occur.

- Before attempting to transfer in and out of the tilt commode, every precaution should be taken to reduce the gap distance. Turn all four casters parallel to the object you are transferring onto. When transferring to and from the commode, **ALWAYS ENGAGE ALL CASTER LOCKS.**
- **DO NOT** use parts, accessories or adapters other than those authorized by Future Mobility Healthcare Inc. Otherwise, the warranty is void.
- **DO NOT** attempt to lift the tilt commode by any removable (detachable) part. Lifting by means of any removable (detachable) parts of a commode may result in injury to the user and/or assistant or damage to the commode.
- **DO NOT** stand on the frame of the tilt commode.
- **DO NOT** use the footplate as a platform. When getting in or out of the commode, make sure that the footplates are in the upward position.

WEIGHT LIMITATION

WARNING

The Aqua Rehab Commode has a weight limitation of 250 lbs. (114kg).

SAFETY INSPECTION CHECKLIST

Initial adjustments should be made to suit your personal body structure needs and preference. Thereafter follow these maintenance procedures:

Item	Initially	Weekly	Monthly	Periodically
GENERAL <ul style="list-style-type: none"> • Commode rolls straight (no excessive drag or pull to one side) 	X	X	X	
FRAME AND CROSSING TUBES <ul style="list-style-type: none"> • Inspect for loose or missing hardware • Inspect for bent frame or crosstubes 	X X	X X	X X	
SEAT AND BACK <ul style="list-style-type: none"> • Inspect for rips or sagging • Inspect for loose or broken hardware • Inspect cane and back support for wear/looseness 	X X X	X X X		X
FRONT AND REAR CASTERS <ul style="list-style-type: none"> • Inspect caster assembly for proper tension by spinning caster; caster should come to a gradual stop • Adjust bearing system if wheel wobbles or binds to a stop. Ensure wheel bearings are clean and free of moisture. • Check caster stem for tightness 	X X X	X	 X X	 X

<ul style="list-style-type: none"> Inspect casters for cracks and wear Inspect for cracked, bent or broken spokes Inspect Tente Caster lock to ensure it engages properly 	X		X	X
CLEANING				
<ul style="list-style-type: none"> Clean upholstery and armrests Clean potty and commode seat Check commode for sign of human waste on all parts to maintain sanitary conditions. 	X	X	X	
	X	X	X	
	X	X	X	

TROUBLESHOOTING

Commode Veers Right/Left	Sluggish Turn or Performance	Caster Flutter	Squeaks and Rattles	Looseness in Chair	Commode not tilting	Solutions
	X	X	X	X		Check for loose nuts and bolts
X		X				Tente Caster assembly in the front and rear (if applicable)
					X	Check gas cylinder assembly to see if cable ball socket is fastened properly
					X	Check to see if tilt cable is not kinked which would prevent the chair from tilting

FRONT RIGGINGS

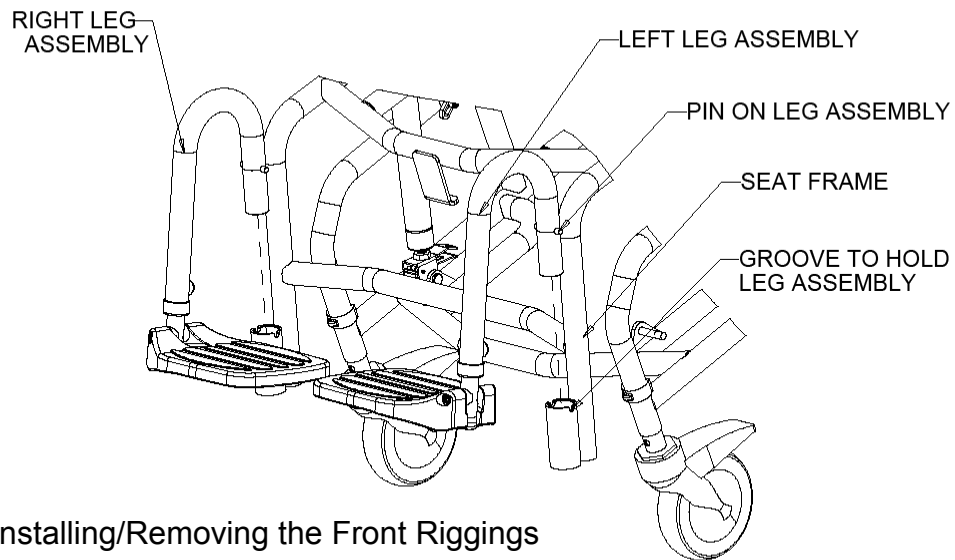
WARNING

After **ANY** adjustments, repair or service and **BEFORE** use, make sure all attaching hardware is tightened securely – otherwise injury or damage may occur.

INSTALLING/REMOVING THE FRONT RIGGINGS

Installing:

1. Place the front rigging assembly parallel to the front of the seat frame pointing outwards.
2. Insert the back opening of the front rigging assembly into the top opening of the seat frame front.
3. The pin which is welded to back of the front rigging should come to rest and sit in the round groove located on the seat frame front.
4. Ensure the Front Rigging is not loose and is 'snug' in place
5. Repeat this procedure with the other front rigging assembly.



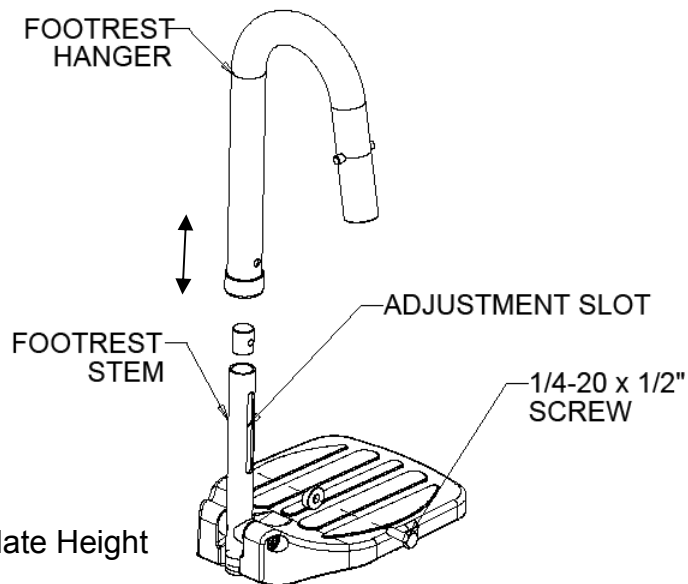
Installing/Removing the Front Riggings

Removing:

1. Lift the front rigging up such that the hanger body clears the top opening of the seat frame front.
2. The rigging should be placed near the commode so when needed it maybe placed back onto the commode
3. Repeat this procedure with the other front rigging assembly.

ADJUSTING FOOTPLATE HEIGHT

1. Remove the front rigging assembly. Refer to INSTALLING/REMOVING THE FRONT RIGGING in this section of the manual.
2. Loosen the 1/4-20 x 1/2" socket head button screw which fastens the footrest hanger to the footrest stem. Slide the footrest stem up or down to desired height. There should be approximately 2-3/8" of range for the footrest extension.
3. Re-tighten socket head button screw.
4. Repeat this procedure with the other footplate assembly.



Adjusting Footplate Height

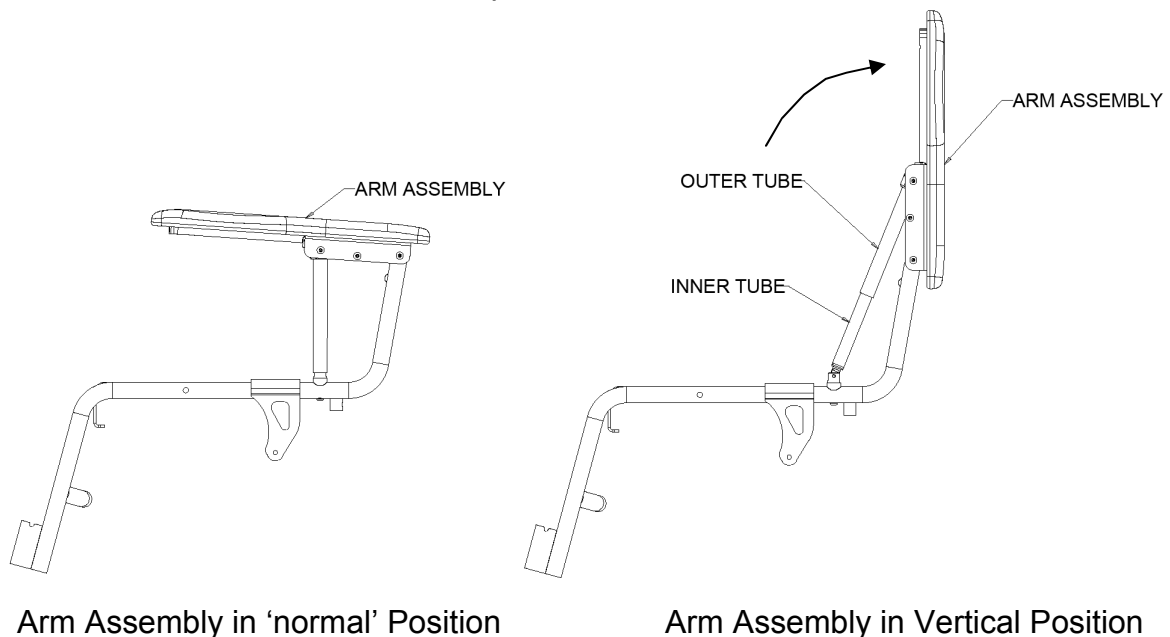
ARMS

WARNING

After **ANY** adjustments, repair or service and **BEFORE** use, make sure all attaching hardware is tightened securely – otherwise injury or damage may occur.

ROTATING ARM ASSEMBLY UPWARDS/DOWNWARDS

1. Grasp the top portion of the arm assembly and rotate the arm upwards to the position shown in the figure in lower right corner. One should notice the arm outer tube sliding along the arm inner tube in order to achieve a large rotation angle and help to support the armrest while it is resting vertically.
2. At this point the arm assembly should come to a stop. The occupant can be transferred to another device such as a wheelchair or bed.
3. In order to bring the arm assembly down to the 'normal' position grasp the top portion of the arm assembly and rotate the arm downwards to the position shown in the lower left corner until the arm comes to a stop.



Arm Assembly in 'normal' Position

Arm Assembly in Vertical Position

BACK

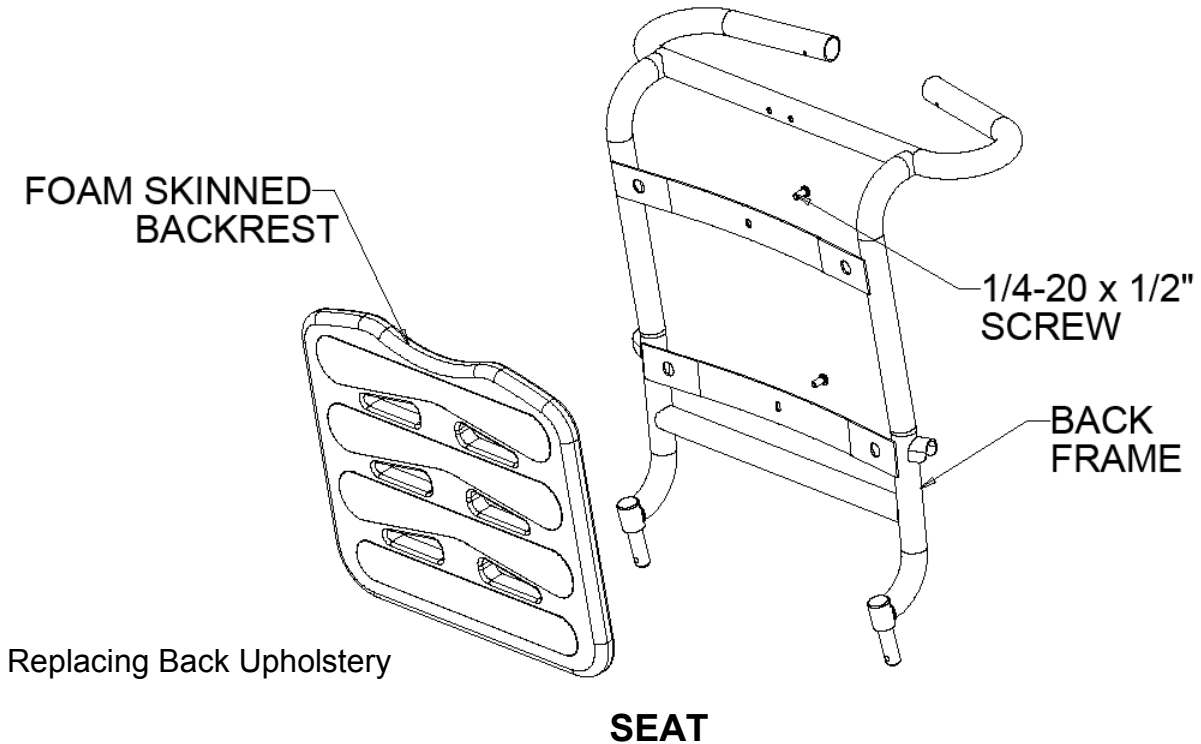
WARNING

After **ANY** adjustments, repair or service and **BEFORE** use, make sure all attaching hardware is tightened securely – otherwise injury or damage may occur.

REPLACING THE BACK SUPPORT

1. Remove the two (2) 1/4-20 x 1/2" screw from the back frame which holds the foam skinned backrest in place.

2. Gently pull the foam skinned backrest outwards and away from the chair. The backrest has four (4) protrusion on the backside which help to keep it in place and which also fit into four (4) holes located on the metal back frame.
3. Place a new foam skinned backrest and gently push inwards towards the chair. Ensure the four (4) protrusions come thru the holes on the metal back frame and are not damaged.
4. Fasten the new foam skinned backrest with two (2) 1/4-20 x 1/2" screws.

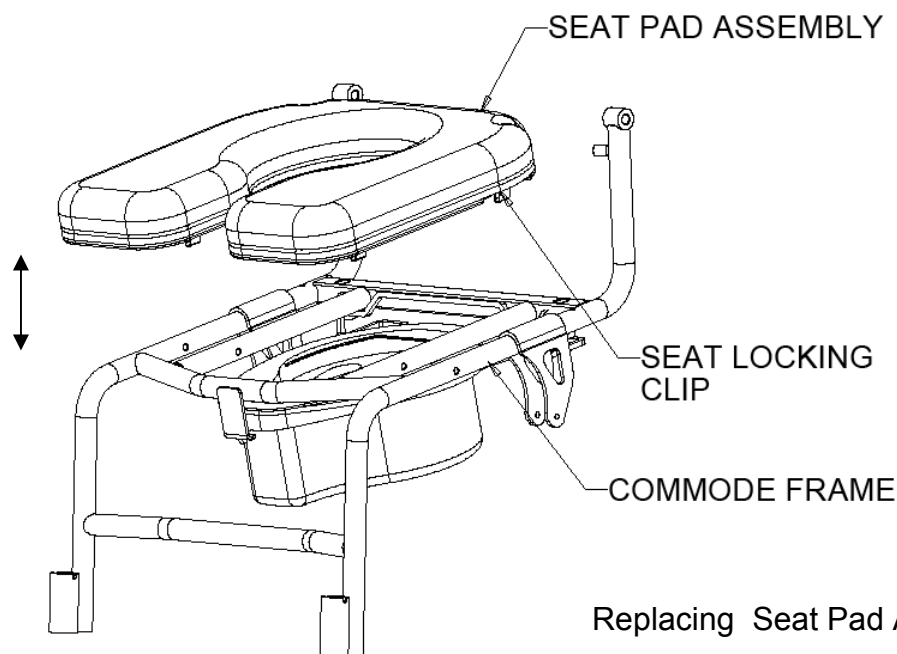


WARNING

After **ANY** adjustments, repair or service and **BEFORE** use, make sure all attaching hardware is tightened securely – otherwise injury or damage may occur.

REPLACING SEAT ASSEMBLY

1. Gently grasp the seat pad assembly from the sides and pull upwards to release the seat locking clips from the commode frame tubing such that the seat assembly becomes independent from the commode.
2. Gently grasp the new seat pad assembly from the sides and line up the approximate location of the seat locking clips with their respective frame tubing that they will 'lock' onto.
3. Push the seat assembly down onto the frame and ensure that the commode seat opening is oriented in the manner shown below. The seat locking clip should 'lock' onto the frame tubing. The commode seat pad assembly should be 'snug' in place and should not be loose.



POTTY

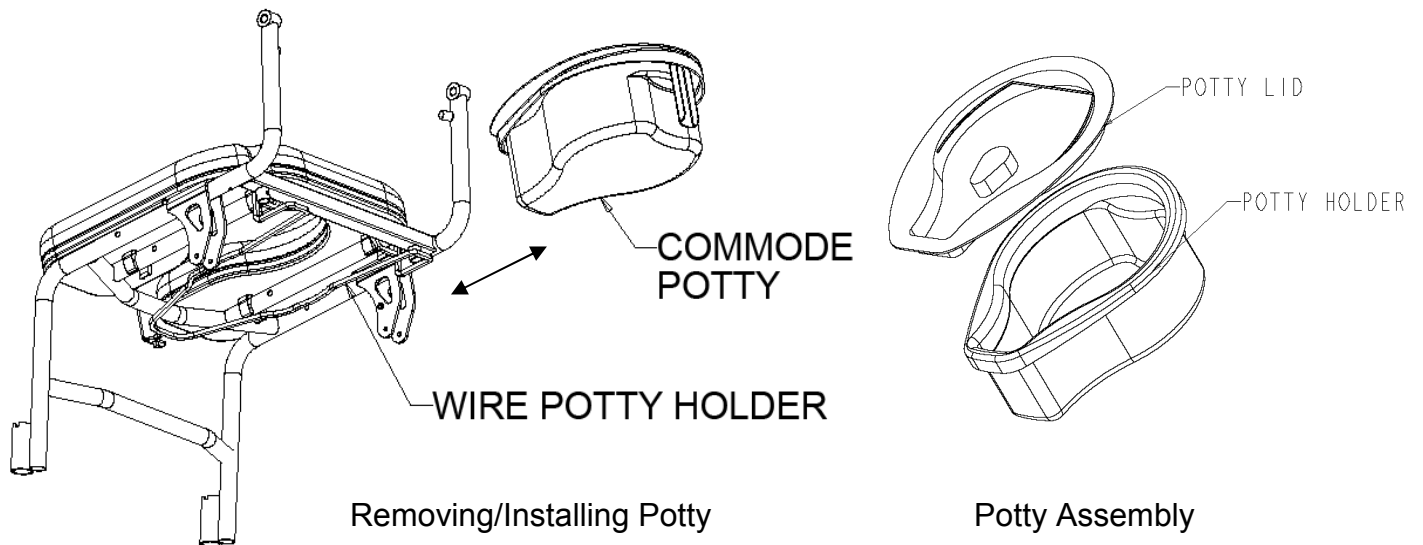
WARNING

After **ANY** adjustments, repair or service and **BEFORE** use, make sure all attaching hardware is tightened securely – otherwise injury or damage may occur.

REMOVING POTTY

1. Turn the commode around so that one can see the back of the commode and potty.
2. Ensure the wheel or caster locks are engaged before removing potty. Also ensure that the wheelchair is in the 'zero' or normal position such that the seat angle is about 3°.
3. Gently grasp the handle of the potty and slide the potty out from the wire potty holder in a direction away from the commode.
4. Place the lid on the potty as shown below and ensure the lid and potty properly assemble together. The potty lid handle should be oriented vertical up to ensure that the potty assembly does not fall when it is picked up.
5. Dispose the contents of the potty in the washroom and properly sanitize the potty assembly before placing the potty back into the potty receiver.

Note: If the user wants to use the commode with a toilet instead of with the potty then one has to remove the potty. After using the toilet the commode should be cleaned and inspected to see if there maybe human waste on other parts of the commode. Then the potty can be placed back onto the commode if needed.



INSTALLING POTTY

1. Turn the commode around so that one can see the back of the commode and potty.
2. Ensure the wheel or caster locks are engaged before installing potty. Also ensure that the wheelchair is in the 'zero' or normal position such that the seat angle is about 3°.
3. Remove the lid on the potty (if any) and ensure that the potty is properly sanitized.
4. Gently grasp the handle of the potty and slide the potty into the wire potty holder in a direction towards the commode. The potty should 'lock' in place onto the wire potty holder.
5. Ensure the potty is properly set in place with no means of falling from the commode if it is pushed or tilted.

CASTERS

WARNING

After **ANY** adjustments, repair or service and **BEFORE** use, make sure all attaching hardware is tightened securely – otherwise injury or damage may occur.

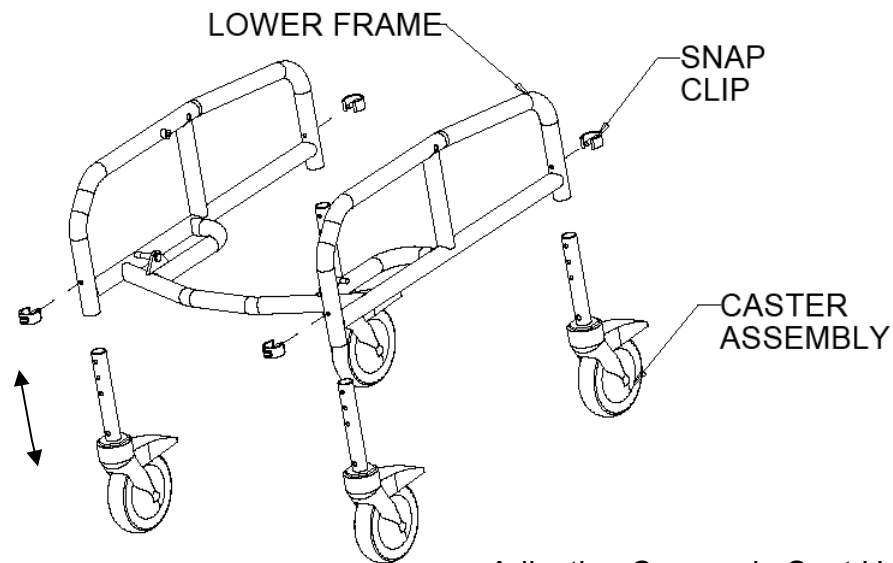
The Tente casters used on the commode have a unique locking mechanism which is located in each wheel. The mechanism allows the casters to be independently locked in place so that the commode does not move. In most instances one has to only the front two casters for the attendant propelled version and use the rear wheel locks on the self propelled version.

ADJUSTING COMMODE SEAT HEIGHT

1. Remove the two snap clips located on the lower frame front side.
2. Adjust the position of the caster assembly to the desired height and hold the caster assembly in place.

3. Place the snap clip back into the lower frame front side to secure the caster assembly to the frame. Ensure the hole used by the snap clip is at the same position on both sides such that the frame is straight and not at an angle.
4. Remove the two snap clips located on the lower frame back side.
5. Adjust the position of the caster assembly to the same position as the front casters and hold the casters in place.
6. Place the snap clips back into the lower frame back side to secure the caster assembly to the frame. Ensure the hole used by the snap clip is at the same position on both sides such that the frame is straight and not at an angle.

Note: When the height of the commode is changed one must ensure that the commode is stable and that one wheel is not higher or lower than another which could cause problems for the end user.



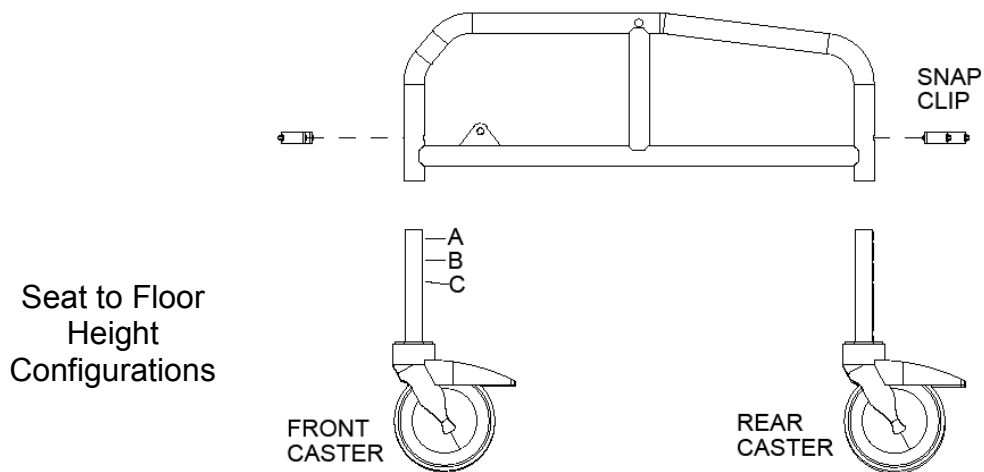
SEAT TO FLOOR

WARNING

After **ANY** adjustments, repair or service and **BEFORE** use, make sure all attaching hardware is tightened securely – otherwise injury or damage may occur.

SEAT TO FLOOR

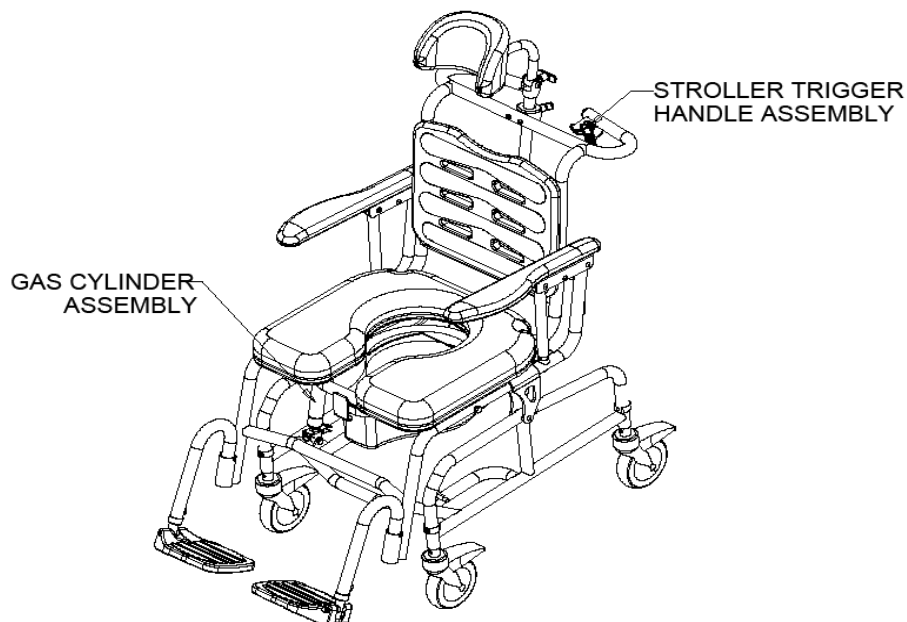
1. Follow the values in the table below to achieve the desired seat to floor height.
The Front Caster and Rear Caster Should be set to the same height
2. Ensure that no weight is on the commode while performing the operations
3. Ensure after changing the seat to floor height that the commode is still operational and that no wheel flutter or instability occurs.



COMMUNE TYPE	STF – FRONT (INCHES)	CASTER HOLE	STF – REAR (INCHES)
ATTENDANT PROPELLED	20.00	C	20.00
ATTENDANT PROPELLED	20.75	B	20.75
ATTENDANT PROPELLED	21.50	A	21.50

TILTING CHAIR

1. Ensure the occupant is seated on the commode and the armrests are at normal or 'zero' position
2. Grasp the stroller trigger handle assembly and gently pull on the trigger. The chair should tilt from 3° to 33°.
3. The attendant can release the trigger handle at any time while the chair is tilting in order to place the occupant at a desired position/angle.
4. In order to return the commode to normal or 'zero' position the attendant should grasp the stroller trigger handle and pull on the trigger while pulling the handles up. The commode should return to the 'zero' position with minimal effort.



WARRANTY

This warranty is extended only to the original purchaser/user of our products.

Future Mobility Healthcare Inc. warrants its Aqua Rehab Tilt Commode to be free from defects in materials and workmanship for two (2) years from the date of purchase for the steel frame while the stainless steel frame is warranted for five (5) years from the original date of purchase. The backrest and commode seat is warranted for 90 days from the date of purchase. All other parts and hardware are warranted for one (1) year from the date of purchase. If within this warranty period the product shall be proven to be defective, such product shall be repaired or replaced, at Future Mobility Healthcare Inc. discretion. Future Mobility Healthcare Inc. sole obligation and your exclusive remedy under this warranty shall be limited to the repair and/or replacement of the product or its parts. This warranty does not include any labour or shipping charges incurred in replacement part installation or repair of any product.

For warranty service, please contact the dealer from whom you purchased your Future Mobility Healthcare Inc. product. In the event you do not receive satisfactory warranty service, please write directly to Future Mobility Healthcare Inc. at 3223 Orlando Drive, Mississauga, Ontario, L4V 1C5. Provide the dealer's name, address, model number, date of purchase and indicate the nature of the defect.

DO NOT return products to Future Mobility Healthcare Inc. without our prior consent. The defective unit or parts must be returned for warranty inspection within thirty (30) days of the return authorization date. (Future Mobility Healthcare Inc. will issue a return authorization number). Please prepay all shipping charges; C.O.D. shipments will be refused.

LIMITATIONS and EXCLUSIONS: This warranty shall not apply to problems arising from normal wear or failure to adhere to the enclosed instructions. Products subjected to negligence, accident, improper usage, maintenance or storage; or products modified without Future Mobility Healthcare Inc. written consent including, but not limited to: modification through the use of any unauthorized parts or attachments; products damaged by reason or repairs made to any component without the specific consent of Future Mobility Healthcare Inc., or products repaired by anyone other than a Future Mobility Products dealer. Such evaluation shall be determined by Future Mobility Healthcare Inc..

The foregoing warranty is exclusive and in lieu of all other expressed warranties. It shall not extend beyond the duration of the expressed warranty provided herein and the remedy for violations of any implied warranty shall be limited to repair or replacement of the defective product pursuant to the terms contained herein. Future Mobility Healthcare Inc. shall not be liable for any consequential or incidental damages whatsoever.

This warranty shall be extended to comply with all provincial laws and requirements.

Future Mobility Healthcare Inc.
3223 Orlando Drive
Mississauga, ON L4V 1C5
905 671-1661 – 1 888 737-4011
Fax: 905 671-3377
e-mail: customersupport@future-mobility.com
www.future-mobility.com

