

AQUA REHAB TILT COMMODE

PARTS BOOK

Future Mobility Healthcare Inc.
3223 Orlando Drive
Mississauga, ON L4V 1C5
905 671-1661 – 1 888 737-4011
Fax: 1-888-670-3377

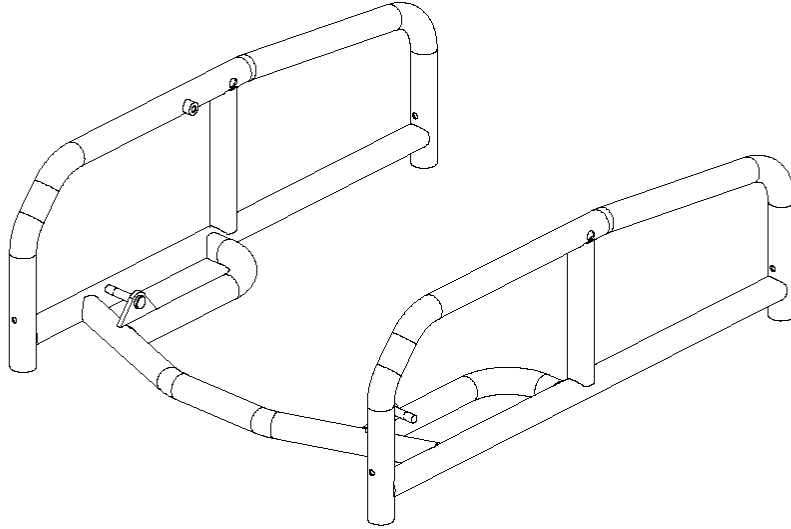
e-mail: customersupport@future-mobility.com
www.future-mobility.com



INDEX

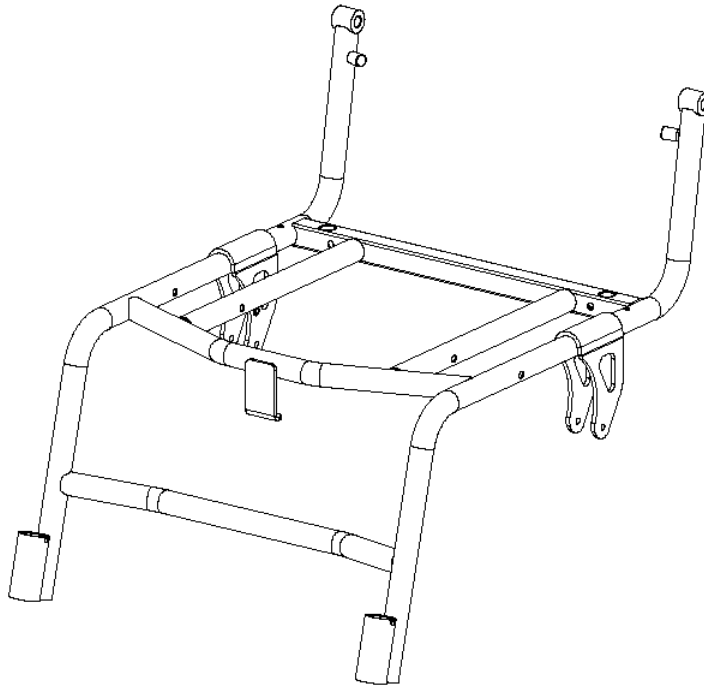
LOWER FRAME WELDMENT	3
SEAT WELDMENT	3
GAS CYLINDER ASSEMBLY	4
ARMREST FLIPUP ASSEMBLY	4
ARMREST TOP ASSEMBLY LT	5
ARMREST TOP ASSEMBLY RT	5
SWINGAWAY U-TUBE ASSEMBLY	6
CASTER STEM ASSEMBLY	7
BACK REST ASSEMBLY	7
ADJUSTABLE HEADREST ASSEMBLY	8
SEAT PAD ASSEMBLY – TILT COMMODE	9
POTTY	9
LASERCUT MAIN WIRE POTTY WELDMENT	10
TILT COMMODE ASSEMBLY	10

LOWER FRAME WELDMENT



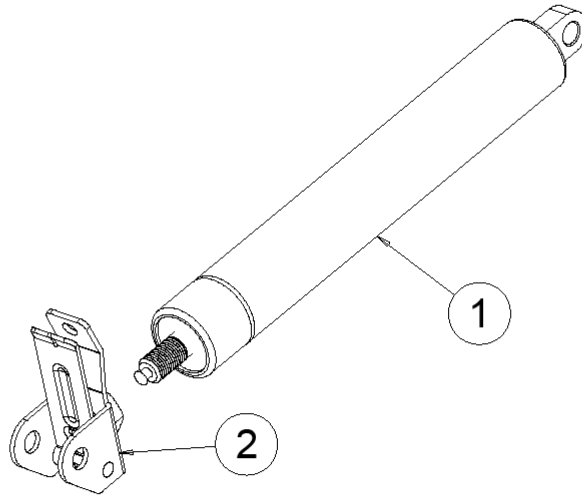
PART NO.	DESCRIPTION	QTY PER ASS'Y
1011827	LOWER FRAME WELDMENT	1

SEAT WELDMENT



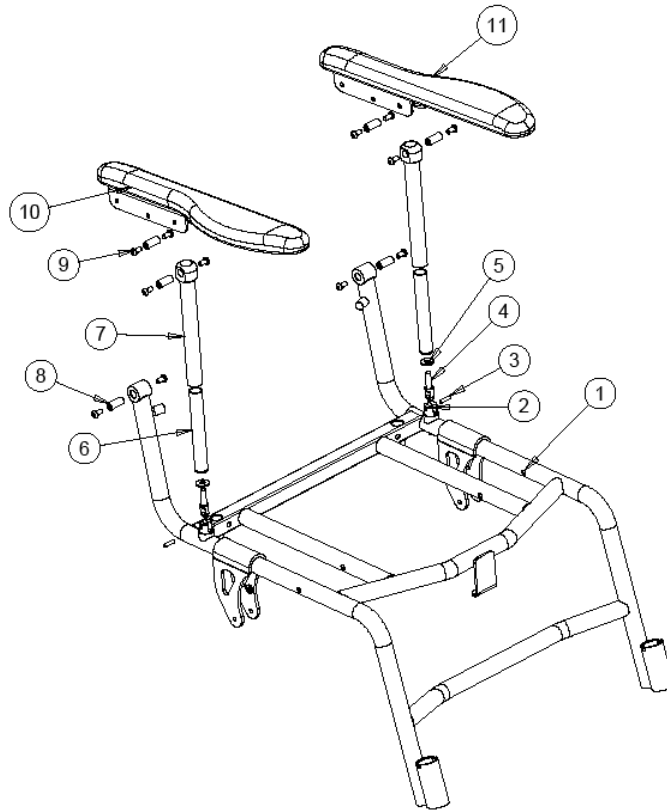
PART NO.	DESCRIPTION	QTY PER ASS'Y
1011835	SEAT WELDMENT	1

GAS CYLINDER ASSEMBLY



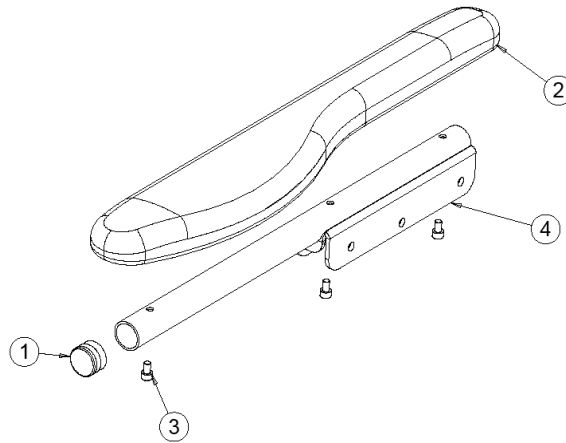
ITEM	QTY	PART NO.	DESCRIPTION
1	1	1000018	BLOC-O-LIFT 200N 80MM STROKE GAS CYLINDER
2	1	1001806	STABILIS ACTUATOR HEAVY
1-2	1	1011843	BLOC-O-LIFT 200N 80MM STROKE GAS CYLINDER ASSEMBLY

ARMREST FLIPUP ASSEMBLY



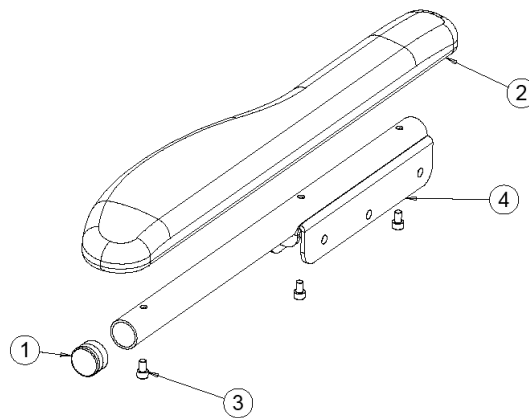
ITEM	QTY	PART NO.	DESCRIPTION
1	1	REF	SEAT WELDMENT
2	2	1011856	ARMREST LOWER MOUNT PIVOT
3	2	1011909	SS PIN 3/16 DIA X .75
4	2	1011855	ARMREST THREADED INSERT STUD
5	2	1011862	SS WASHER .75 OD X .312 ID X 14 GAUGE
6	2	1011852	ARMREST INNER TUBE WITH INSERT
7	2	1011863	ARMREST OUTER TUBE WITH INSERT
8	6	1011858	ARMREST INSERT BRASS BUSHING TOP
9	12	1000411	SCREW,SOC BUTTON HEAD 1/4-20 X 1/2"
10	1	1011865	ARMREST TOP ASSEMBLY RT
11	1	1011864	ARMREST TOP ASSEMBLY LT

ARMREST TOP ASSEMBLY LT



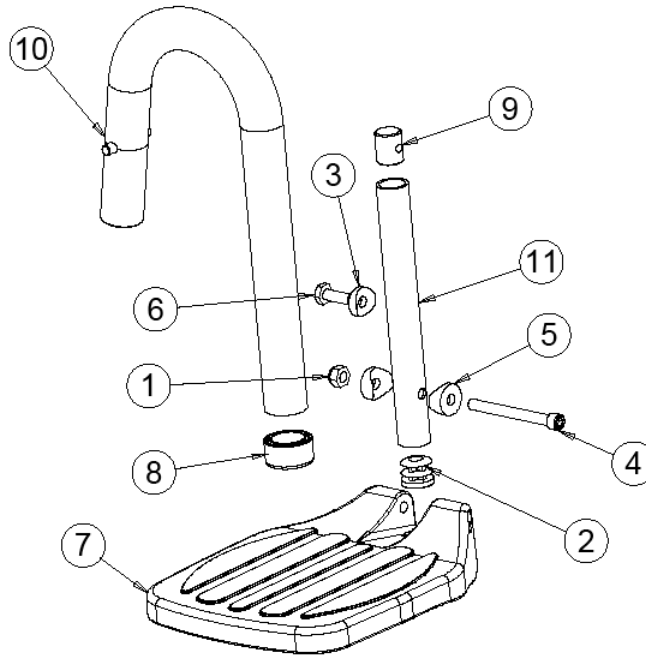
ITEM	QTY	PART NO.	DESCRIPTION
1	1	1000421	PLUG, UNIVERSAL BLACK 0.875 ROUND
2	1	1002539	ARMPAD WITH INSERT LT
3	3	1011298	SCREW, SOCKET HEAD CAP, 10-32NF X 5/16
4	1	1011859	ARMTOP TUBE WELDMENT
1-4	1	1011864	ARMREST TOP ASSEMBLY LT

ARMREST TOP ASSEMBLY RT



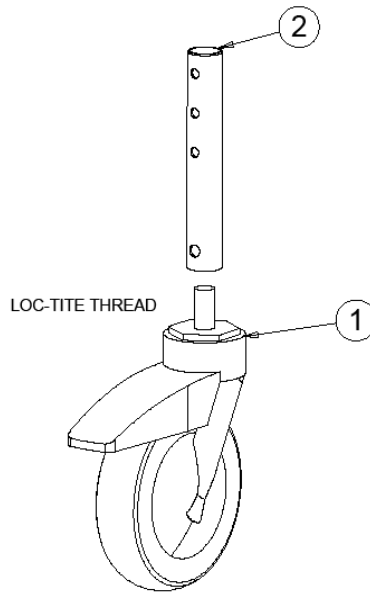
ITEM	QTY	PART NO.	DESCRIPTION
1	1	1000421	PLUG, UNIVERSAL BLACK 0.875 ROUND
2	1	1002538	ARMPAD WITH INSERT RT
3	3	1011298	SCREW, SOCKET HEAD CAP, 10-32NF X 5/16
4	1	1011859	ARMTOP TUBE WELDMENT
1-4	1	1011865	ARMREST TOP ASSEMBLY RT

SWINGAWAY U-TUBE ASSEMBLY



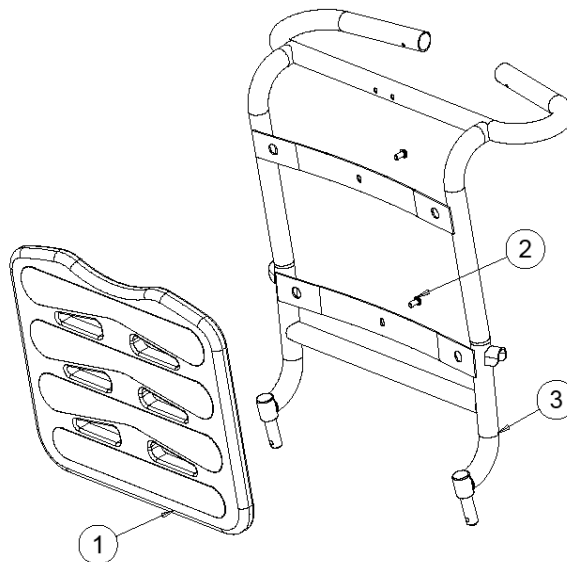
ITEM	QTY	PART NO.	DESCRIPTION
1	1	1000014	NUT, HEX, NYLOCK 1/4-20 NC
2	1	1000018	ROUND PLUG TUBE
3	1	1000113	SPACER, COVERED 1/4 X 1.0 DIA
4	1	1000492	SCREW, SOCKET HEAD CAP, 1/4-20X2.1/2
5	2	1000904	DIA. 0.75 COVERED SPACER, 0.25" BOLT
6	1	1000905	BOLT HEX 1/4-20 X 0.75
7	1	1001444	FOOTPLATE, FLIP-UP, COMPOSITE MEDIUM
8	1	1001869	GLIDE BUSHING, 1.00 TO 0.75 (.083) WALL
9	1	1009132	LOCKING SLUG
10	1	1011866	SWINGAWAY WELDMENT U-TUBE
11	1	1011870	FOOTREST ADJ. STEM
1-11	1	1011869	SWINGAWAY U-TUBE ASSEMBLY LT – SHOWN
1-11	1	1013307	SWINGAWAY U-TUBE ASSEMBLY RT - OPPOSITE

CASTER STEM ASSEMBLY



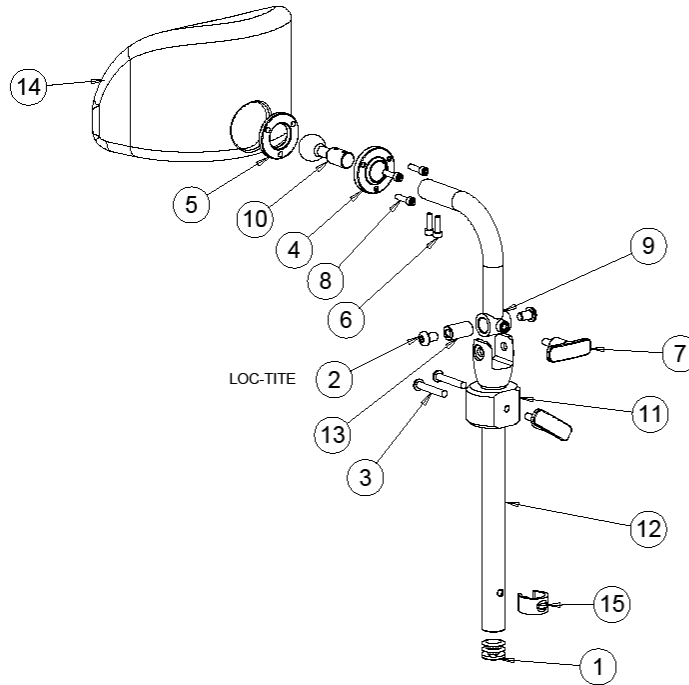
ITEM	QTY	PART NO.	DESCRIPTION
1	1	1009167	TOTAL LOCK SS CASTER
2	1	1011876	CASTER STEM WELDMENT
1-2	1	1011875	CASTER STEM ASSEMBLY

BACK REST ASSEMBLY



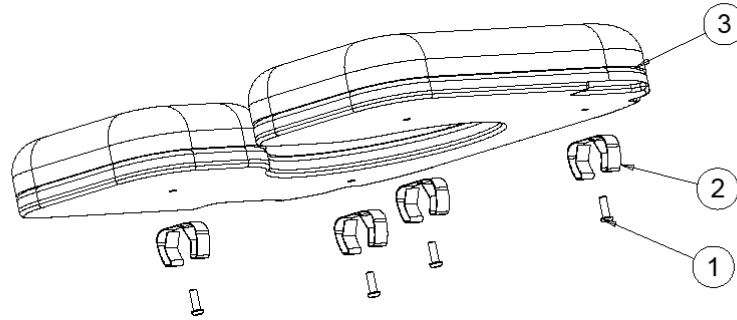
ITEM	QTY	PART NO.	DESCRIPTION
1	1	1011893	BACK SUPPORT MOLD – FOAM SKINNED
2	1	1000411	SCREW, SOC BUTTON HEAD 1/4-20 X 1/2"
3	1	1011880	BACK FRAME WELDMENT

ADJUSTABLE HEADREST ASSEMBLY



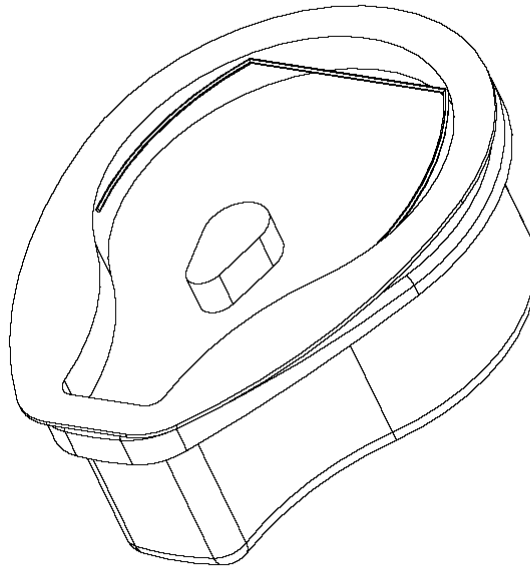
ITEM	QTY	PART NO.	DESCRIPTION
1	1	1000421	PLUG, UNIVERSAL BLACK 0.875 ROUND
2	2	1000413	SCREW, SOCKET HEAD BUTTON 5/16-18 X 0.5
3	2	1000493	SCREW, SOCKET HEAD BUTTON 1/4-20 X 1.50
4	1	1001198	FACE PLATE, BALL SOCKET CLAMP
5	1	1001200	SPACER PLATE, BALL SOCKET CLAMP
6	2	1001203	SCREW, SOCKET HEAD CAP, 10-32NF X 5/8
7	2	1005259	T-HANDLE ROUNDED
8	3	1006241	SCREW, SOCKET HEAD CAP, 10-32NFX 3/4
9	1	1011895	HEADREST CURVED STEM WELDMENT
10	1	1011897	SS BALL-JOINT, 1" DIA
11	1	1011898	MAIN LOCK COLLAR HOUSING
12	1	1011900	HEADREST STRAIGHT STEM WELDMENT
13	1	1011903	PIVOT BUSHING, UPPER CLAMP
14	1	1011906	FOAM SKINNED HEADREST HJ-03
15	1	1011908	SNAP CLIP .875 DIA
1-15	1	1011894	ADJUSTABLE HEADREST ASSEMBLY

SEAT PAD ASSEMBLY – TILT COMMODE



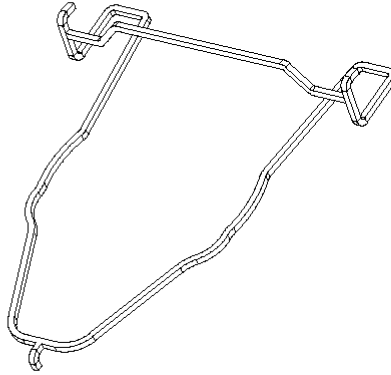
ITEM	QTY	PART NO.	DESCRIPTION
1	4	1001391	SCREW, SOCKET HEAD BUTTON, 1/4-20NC X 3/4
2	4	1009174	SEAT LOCK
3	1	1013309	SEAT PAD GLUED (WOOD, ABS & FOAM + COVER)
1-3	1	1011917	SEAT PAD ASSEMBLY – TILT COMMODE

POTTY



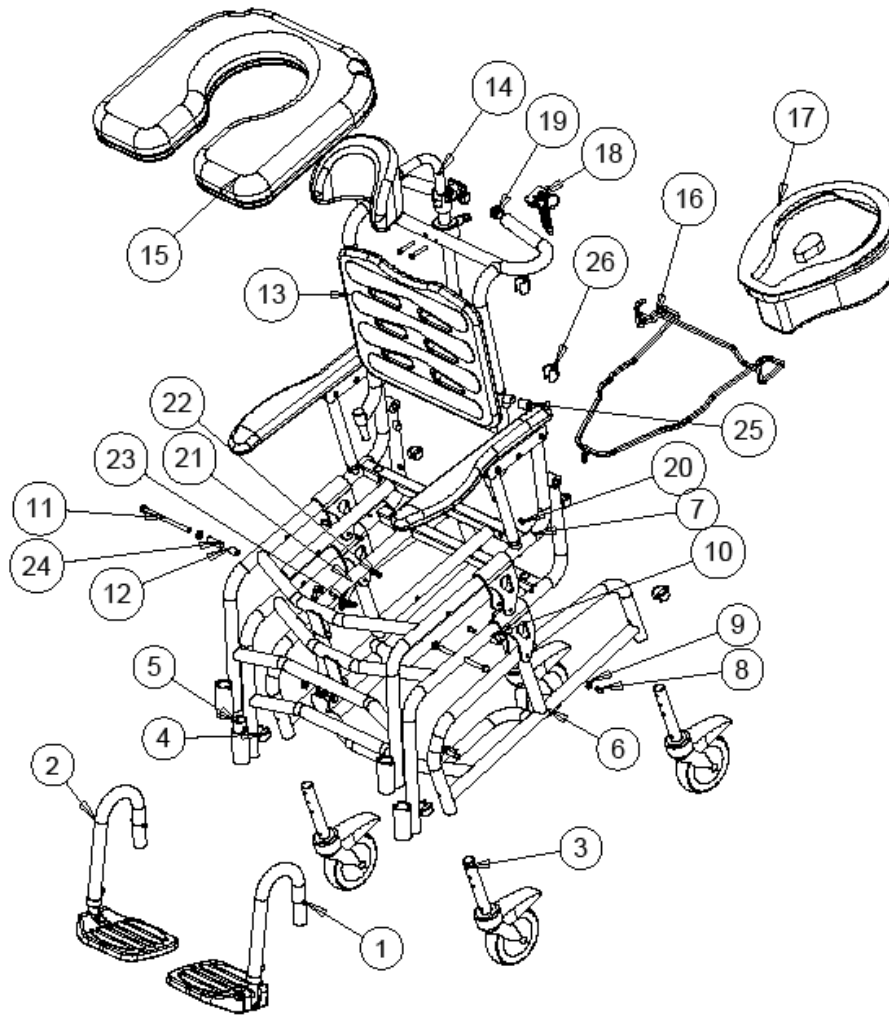
ITEM	PART NO.	DESCRIPTION	QTY PER ASS'Y
1	1009179	COMMUNE POTTY	1

LASERCUT MAIN WIRE POTTY WELDMENT



ITEM	PART NO.	DESCRIPTION	QTY PER ASS'Y
1	1011926	LASERCUT MAIN WIRE POTTY WELDMENT	1

TILT COMMODE ASSEMBLY



ITEM	QTY	PART NO.	DESCRIPTION
1	1	REF	SWINGAWAY U-TUBE ASSEMBLY LT
2	1	REF	SWINGAWAY U-TUBE ASSEMBLY RT
3	4	REF	CASTER STEM ASSEMBLY
4	6	1009125	SNAP CLIP
5	2	1002720	NYLINER BUSHING 1.00 ID 1.125 LG
6	1	REF	LOWER WELDMENT
7	1	REF	SEAT WELDMENT
8	4	1000411	SCREW, SOC BUTTON HEAD 1/4-20 X 1/2"
9	3	1011871	WASHER .625 OD X 11/32 ID X .063
10	1	1011910	MAIN PIVOT INSERT BRASS BUSHING
11	1	1011872	SS HEX BOLT 5/16 X 4.5
12	1	1011873	SPACER -5/16 BOLT .70 LG
13	1	REF	BACK REST ASSEMBLY
14	1	REF	ADJUSTABLE HEADREST ASSEMBLY
15	1	REF	SEAT PAD ASSEMBLY – TILT COMMODE
16	1	REF	LASERCUT MAIN WIRE POTTY WELDMENT
17	1	REF	COMMODE POTTY
18	1	1010692	STROLLER TRIGGER HANDLE ASS'Y
19	2	1000392	1 INCH TUBE PLUG
20	2	1011911	RUBBER GROMMET .187 ID .065 ALLIANCE PLASTICS # GR-3081
21	1	1011849	TILT LIMITING BAR
22	2	1000403	SCREW, SOC HD CAP, 1/4-20 X 0.5
23	1	1000014	NUT, HEX, NYLOCK 1/4-20 NC
24	1	1011874	SPACER -5/16 BOLT 1.45 LG
25	2	1011912	PVC HOSE ID 1/2 OD 3/4
26	2	1011913	CABLE RETAINER .875-1.00 TUBE