



Aqua Commode

Order Form/Price List (Effective June 11, 2010)

Account Information:

Account #: _____
 Name: _____
 Address: _____
 City: _____
 Province: _____
 Postal: _____
 Phone: _____
 Fax: _____
 Comment: _____

Date: _____

PO# _____
 Ship To: _____
 Address: _____
 City: _____
 Province: _____
 Postal: _____
 Phone: _____
 Fax: _____

FRAME

- Commode Attendent Propelled Steel CMAPS \$895
- Commode Self Propelled Steel CMSPS \$1,295
- Commode Attendent Propelled Stainless Steel CMAPSS \$1,345
- Commode Self Propelled Stainless Steel CMSPSS \$1,895

SEAT WIDTH

- 17" Seat Width ----- SW17 No Charge
- 20" Seat Width ----- SWC20 \$150
- 22" Seat Width ----- SWC22 \$200

SEAT DEPTH

- 17" Seat Depth ----- SDC17 No Charge

SEAT-TO-FLOOR HEIGHT

- 16" ----- STFC1 No Charge
- 17" ----- STFC2 Standard
- 18" ----- STFC3 No Charge
- 19" ----- STFC4 No Charge

CASTER SIZE

- 5" x 2" PolyPropylene Caster ----- 5CASC M Standard

CASTER TYPE

- Total Lock TL Standard

HANDRIM OPTIONS FOR 20", 22", 24" WHEELS

- 1 Stainless Steel ----- SS Standard
- Plastic Coated ----- PC \$160
- Omit Handrims ----- OHR less net \$15

WHEEL SIZE

- 2 20" Composite Urethane Tires ----- 20TCM No Charge
- 1,3 22" Composite Urethane Tires ----- 22TCM Standard
- 4 24" Composite Urethane Tires ----- 24TCM No Charge

ARM TYPE

- Cantilever Fixed Height Arm Support - Gel ----- ARMCM Standard
- Flipback Fixed Height Arm Support - Vinyl ----- ARMCM2 \$250

PUSH OPTIONS

- Stroller Handles ----- BKCM Standard

BACK OPTIONS

- Slip on Back Support ----- BSCM Standard

Standard Features:

Seat Width 17"
 Seat Depth 17"
 Adjustable Height Back
 Slip on Back Support
 Seat to Floor Height 17" to 20" Adjustable without tools
 (Attendent Propelled w/4 casters)
 Casters 5" - Total Lock - Stainless Steel
 Cantilever Fixed Height Arm Supports
 Removable Seat
 Removable Pan Support
 Removable Pan with lid
 Choice of 2 finishes - Steel or Stainless Steel

FOOTNOTES:

1. 20", 22", 24" Wheels are used for self propelled option
2. Seat to Floor with 20" wheels is 16" or 18"
3. Seat to Floor with 22" wheels is 17" or 19"
4. Seat to Floor with 24" wheels is 18" or 20"

SEAT OPTIONS

- Removable Seat ----- RSCM Standard
- Removable Pan Support ----- RPSCM Standard
- Removable Pan with Lid ----- RPLCM Standard

FRONT RIGGING

- 50 Degree Swingaway Steel ----- 50SUCMS \$135
- 50 Degree Swingaway Stainless Steel ----- 50SUCMSS \$195

FOOTPLATE TYPE

- Composite Footplates ----- FPC No Charge
- Aluminum Footplates ----- FPA No Charge
- Adjustable Angle Footplates ----- FFAA \$120
- One Piece Footboard (17") ----- FPOP \$160

FOOTREST/LEGREST ACCESSORIES

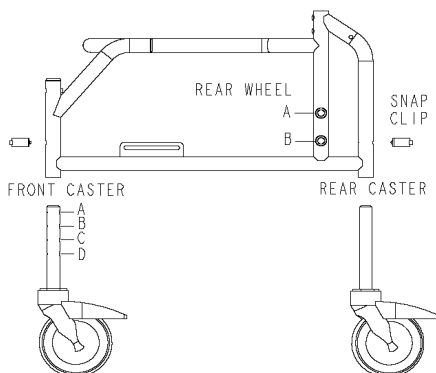
- Heel Loops ----- HL No Charge
- Omit Heel Loops ----- OHL less net \$7

WHEEL LOCKS

- 5 □ Push-to-Lock Wheel Lock ----- PUSHCM Standard with Self Propelled Option
- Wheel Lock Extension ----- WLECM \$35

MISCELLANEOUS ACCESSORIES

- 6 □ Rear Anti-Tippers ----- ANTICM Standard with Self Propelled Option
- Quick Release Axles ----- QRA \$110



FOOTNOTES:

- 5. Wheel Lock can only be used with self propelled option
- 6. Anti tippers can only be used with self propelled option

SEAT-TO-FLOOR HEIGHT MATRIX					
COMMODOE TYPE	STF	CASTER HOLE	REAR WHEEL	REAR WHEEL	STF
	FRONT		HOLE	SIZE	REAR
ATTENDENT PROP.	16.50	D	N/A	N/A	16.50
ATTENDENT PROP.	17.50	C	N/A	N/A	17.50
ATTENDENT PROP.	18.50	B	N/A	N/A	18.50
ATTENDENT PROP.	19.50	A	N/A	N/A	19.50
SELF PROPELLED	16.25	D	A	20	15.75
SELF PROPELLED	17.25	C	A	22	16.50
SELF PROPELLED	18.25	B	B	20	17.75
SELF PROPELLED	18.25	B	A	24	17.50
SELF PROPELLED	19.25	A	B	22	18.50
SELF PROPELLED	19.50	A	B	24	19.25

WARRANTY

Future Mobility Healthcare Inc. warrants the Aqua Commode to be free from defects in materials and workmanship for a period of two (2) years from the date of purchase for the steel frame, while the stainless steel frame is warranted for five (5) years from the original date of purchase. All other parts and hardware are warranted for one (1) year.