



Tilt Aqua Commode

Order Form/Price List (Effective August 11, 2010)

Account Information:

Date: _____

Account #: _____
 Name: _____
 Address: _____
 City: _____
 Province: _____
 Postal: _____
 Phone: _____
 Fax: _____
 Comment: _____

PO# _____
 Ship To: _____
 Address: _____
 City: _____
 Province: _____
 Postal: _____
 Phone: _____
 Fax: _____

FRAME

- Tilt Commode Attendent Propelled Steel TCMAPS \$1,800
- Tilt Commode Attendent Propelled Stainless Steel TCMAPSS \$2,100

SEAT WIDTH

- 17" Seat Width ----- SW17 No Charge
- 20" Seat Width ----- SWTC20 \$250
- 22" Seat Width ----- SWTC22 \$350

SEAT DEPTH

- 17" Seat Depth ----- SDC17 No Charge

SEAT-TO-FLOOR HEIGHT

- 20" ----- STFTC1 Standard
- 20-3/4" ----- STFTC2 No Charge
- 21-1/2" ----- STFTC3 No Charge

CASTER SIZE

- 5" x 2" PolyPropylene Caster ----- 5CASC M Standard

CASTER TYPE

- Total Lock ----- TL Standard

ARM TYPE

- Flip Up Fixed Height - Gel ----- ARMTCM Standard

PUSH OPTIONS

- Stroller Handles ----- BKTCM Standard

BACK OPTIONS

- Screw on Foam Skinned Back Support ----- BSTCM Standard

HEADREST HARDWARE OPTIONS

- Stainless Steel Fixed Multi Axial Headrest FMAHTC \$295

HEADREST FOAM OPTIONS

- Large Foam Skinned Headrest Pad (HJ03) LFSTC \$150
- Small Foam Skinned Headrest Pad (HJ04) SFSTC \$120
- Curved Foam Skinned Headrest Pad (HJ09) CFSTC \$120

SEAT OPTIONS

- Removable Seat ----- RSTCM Standard
- Removable Pan Support ----- RPSTCM Standard
- Removable Pan with Lid ----- RPLCM Standard

Standard Features:

- Seat Width 17"
- Seat Depth 17"
- Tilt angle 3° to 33°
- Seat to Floor Height 20" to 21-1/2" Adjustable w/o tools (Attendent Propelled w/4 casters)
- Casters 5" - Total Lock - Stainless Steel
- Flipup Arm Supports
- Skinned foam rectangular shaped back support
- Removable Seat
- Removable Pan Support
- Removable Pan with lid
- Choice of 2 finishes - Steel or Stainless Steel

FRONT RIGGING

- 60 Degree Swingaway Steel----- 60SUTCS \$150
- 60 Degree Swingaway Stainless Steel ----- 60SUTCSS \$220

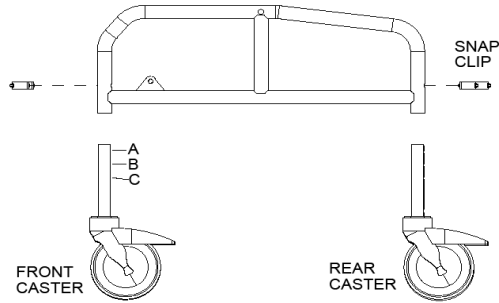
FOOTPLATE TYPE

- Composite Flip-Up Footplates----- FPC No Charge
- Aluminum Flip-Up Footplates----- FPA No Charge
- Composite Adjustable Angle Flip-Up Footplates ----- FFAAC \$120
- Aluminum Adjustable Angle Flip-Up Footplates----- FFAA \$120
- Composite Adjust Angle Flip-Up Footplate Spring Return FFAASR \$150
- One Piece Footboard (17")----- FPOP \$160

FOOTREST/LEGREST ACCESSORIES

- Heel Loops ----- HL No Charge
- Omit Heel Loops ----- OHL less net \$7

**Seat to Floor
Height
Configurations**



COMMODE	STF FRONT (INCHES)	CASTER HOLE	STF REAR (INCHES)
ATTENDANT PROPELLED	20.00	C	20.00
ATTENDANT PROPELLED	20.75	B	20.75
ATTENDANT PROPELLED	21.50	A	21.50

WARRANTY

Future Mobility Healthcare Inc. warrants the Aqua Commode to be free from defects in materials and workmanship for a period of two (2) years from the date of purchase for the steel frame, while the stainless steel frame is warranted for five (5) years from the original date of purchase. All other parts and hardware are warranted for one (1) year.